

PRODUCT INFORMATION PACKET

Model No: LM24487

Catalog No: LM24487

Agricultural Motor, 0.25 HP, 1 Ph, 60 Hz, 115 V, 1800 RPM, 48Z Frame, TENV



Regal and are trademarks of Regal Rexnord Corporation or one of its affiliated companies.
©2022 Regal Rexnord Corporation, All Rights Reserved. MC017097E

Nameplate Specifications

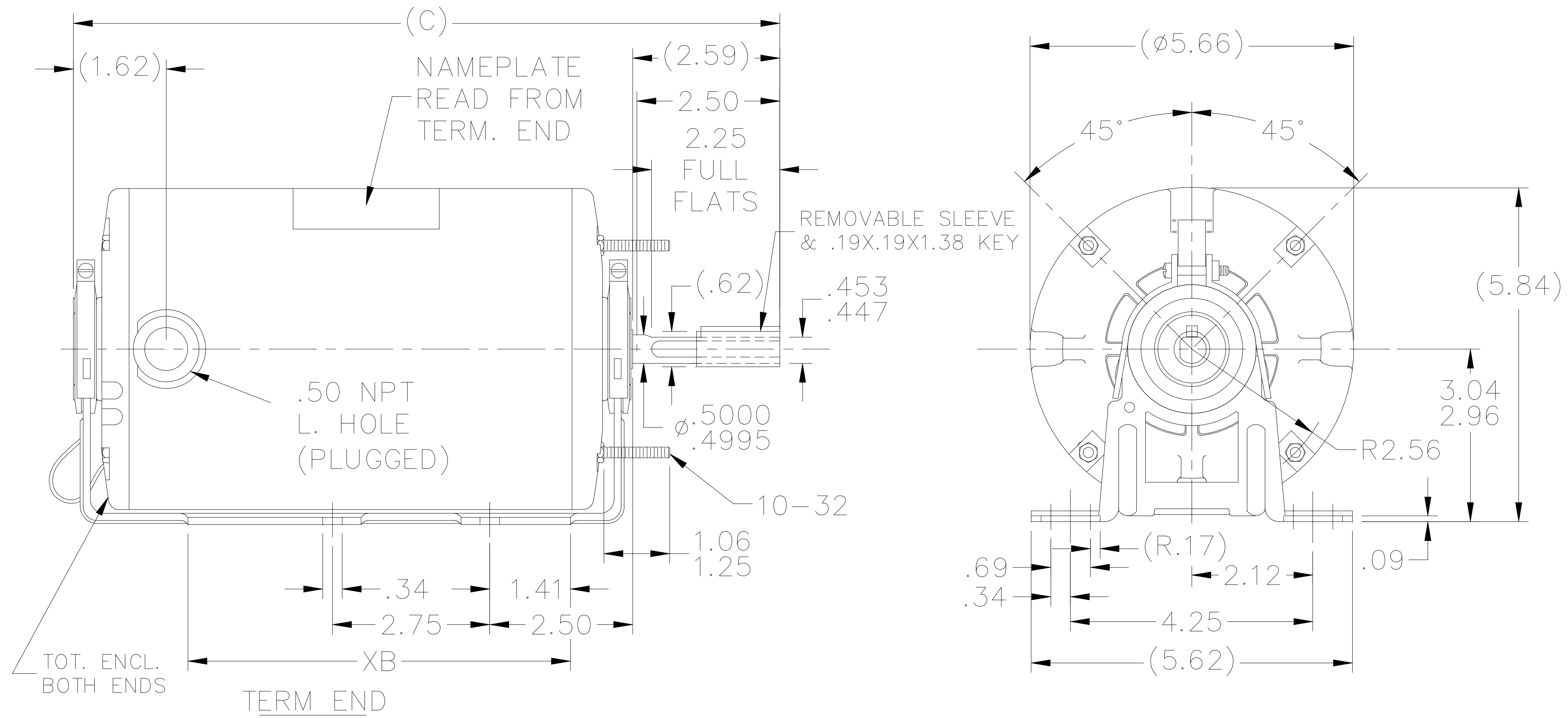
Output HP	0.25 Hp	Output KW	0.19 kW
Frequency	60 Hz	Voltage	115 V
Current	3.5 A	Speed	1725 rpm
Service Factor	1	Phase	1
Efficiency	66 %	Power Factor	70
Duty	Continuous	Insulation Class	B
Design Code	NO DESIGN CODE	KVA Code	N
Frame	48Z	Enclosure	Totally Enclosed Non Ventilated
Thermal Protection	Automatic	Ambient Temperature	40 °C
Drive End Bearing Size	6203	Opp Drive End Bearing Size	6203
UL	Recognized	CSA	Y
CE	N	IP Code	43
Number of Speeds	1		

Technical Specifications


Electrical Type	Split Phase	Starting Method	Across The Line
Poles	4	Rotation	Selective Counterclockwise
Resistance Main	0 Ohms	Mounting	Rigid Base
Motor Orientation	Horizontal	Drive End Bearing	Ball
Opp Drive End Bearing	Ball	Frame Material	Rolled Steel
Shaft Type	Single Special Extension	Overall Length	17.32 in
Frame Length	6.75 in	Shaft Diameter	0.500 in
Shaft Extension	1.5 in	Assembly/Box Mounting	F1 ONLY
Outline Drawing	SS400070-675	Connection Drawing	EE7195-LN

This is an uncontrolled document once printed or downloaded and is subject to change without notice. Date Created:09/07/2022

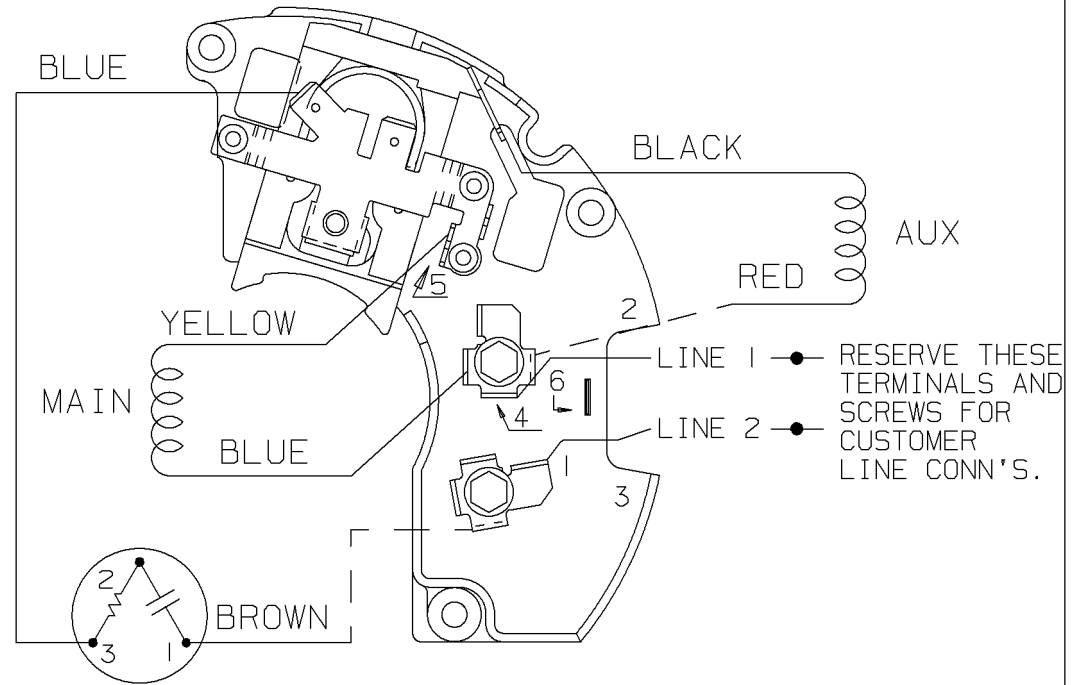
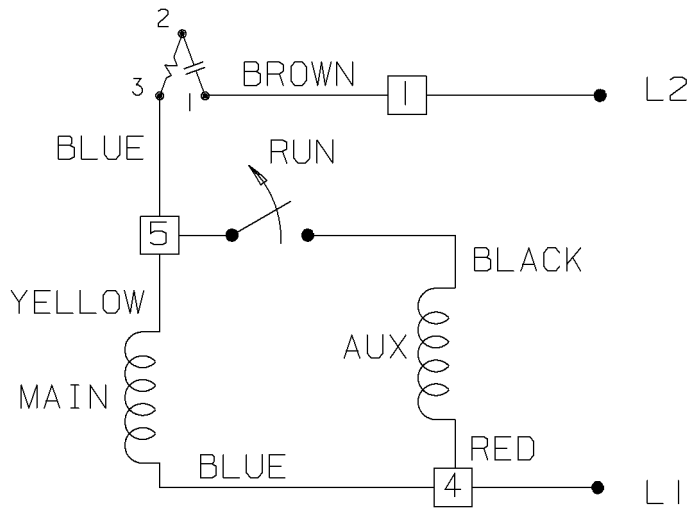
SS400070



DASH	C	XB	DASH	C	XB
525	9.84	5.44	675	11.34	6.94
575	10.34	5.94	775	12.34	7.94
625	10.84	6.44			

NO.	REVISION	BY & DATE	CHK	TOLERANCES UNLESS SPECIFIED		FINISH	DRAWN	PAGE	OF	REV.	
				DEC.	INCHES						
4	UPDATED TITLE	UD 10-15-19	.X	±.1	 Regal Beloit America, Inc.		AJS	10-12-1994			
3	UPDATED DRAWING	RJW 04-13-2007	.XX	±.03		TITLE	ML	10-31-1994			
2	REDRAWN IN AUTOCAD	TAT 05-09-2005	ML	±.005		OUTLINE - 48Z	APPD	GK 10-31-1994			
1	NEW DRAWING CN 19416	AJS 11-02-1994	.XXXX	±.0005		MAT'L.	SCALE	3=8			
			ANG	±7'30"		REF					
			RFP			FMF					
			DIST	WP		PREV					
THIS DRAWING IN DESIGN AND DETAIL IS OUR PROPERTY AND MUST NOT BE USED EXCEPT IN CONNECTION WITH OUR WORK ALL RIGHTS OF DESIGN AND INVENTION ARE RESERVED THIS IS AN ELECTRONICALLY GENERATED DOCUMENT - DO NOT SCALE THIS PRINT						CAD FILE	ss400070	SIZE	A	DRAWING NO.	SS400070

SINGLE VOLTAGE - SPLIT PHASE
 REVERSIBLE ON TERM BOARD
 WITH OVERLOAD PROTECTION



VIEWING TERMINAL END

C.C.W. ROTATION SHOWN.

FOR C.W. ROTATION INTERCHANGE
 YELLOW & BLUE LEADS ON TERM 5 & 4.

DASH LINES INDICATE LEADS CONNECTED
 TO MOTOR SIDE OF SWITCH.

					✓ UNLESS OTHERWISE SPECIFIED DIMENSIONS ARE IN INCHES TOL. ON XX± XXX±.005 XXXX±.0005 ANGLES±		
					MAX. SURFACE ROUGHNESS UNLESS OTHERWISE NOTED		DRAWN BY TJB 11-18-1999 CHKD BY ML 11-19-1999
					FINISH		APPD BY GK 11-19-1999
1	11-19-1999	NEW DRAWING	TJB	PART NAME	CONNECTION DIAGRAM	DRWG NO	A-EE7195-LN
REV	DATE	CHANGE	NAME	48 FR. SINGLE VOLTAGE REVERSIBLE			

PURCHASED

CADD FILE NO.

EE7195-LN



**2100 WASHINGTON ST.
GRAFTON, WI
PH. 262-277-8810**

CERTIFICATION DATA SHEET

CONN. DIAGRAM: A-EE7195-LN

OUTLINE: A-SS400070LN-675

CATALOG : LM24487

WINDING #: SE484152 1

MOUNTING: F1 ONLY

TYPICAL MOTOR PERFORMANCE DATA

HP	kW	SYNC. RPM	F.L. RPM	FRAME	ENCLOSURE	KVA CODE	DESIGN
1/4	0.19	1800	1725	48Z	TENV	N	NO DESIGN CODE

PH	Hz	VOLTS	AMPS	START TYPE	DUTY	INSL	S.F.	AMB°C
1	60	115	3.5	ACROSS THE LINE	CONTINUOUS	B3	1.0	40

FULL LOAD EFF: 66	3/4 LOAD EFF: 65	1/2 LOAD EFF: 61	GTD. EFF	ELEC. TYPE
FULL LOAD PF: 70	3/4 LOAD PF: 62.5	1/2 LOAD PF: 52	62	SPLIT PHASE

F.L. TORQUE	LOCKED ROTOR AMPS	L.R. TORQUE	B.D. TORQUE	F.L. RISE°C
12.2 OZ-FT	24.4	17.5 OZ-FT - %	22.8 OZ-FT - %	52.29

SOUND PRESSURE @ 3 FT.	SOUND POWER	ROTOR WK^2	MAX. WK^2	SAFE STALL TIME	STARTS / HOUR	APPROX. MOTOR WGT
0 dBA	10 dBA	- LB-FT^2	0 LB-FT^2	0 SEC.	0	17 LBS.

***** SUPPLEMENTAL INFORMATION *****

DE BRACKET TYPE	ODE BRACKET TYPE	MOUNT TYPE	ORIENTATION	SEVERE DUTY	HAZARDOUS LOCATION	DRIP COVER	SCREENS	PAINT
STANDARD	STANDARD	RIGID	HORIZONTAL	FALSE	NONE	FALSE	NONE	GRAY (POWDER)

BEARINGS		GREASE	SHAFT TYPE	SPECIAL DE	SPECIAL ODE	SHAFT MATERIAL	FRAME MATERIAL
DE	ODE						
BALL	BALL	MULTEMP SRL	SGL SPL EXT	SPECIAL	NONE	1144 STRESSPROOF (C-223)	ROLLED STEEL
6203	6203						

THERMO-PROTECTORS				THERMISTORS	CONTROL	SPACE HEATERS
THERMOSTATS	PROTECTORS	WDG RTDs	BRG RTDs			
NONE	AUT LCK RTR ONLY	NONE	NONE	NONE	FALSE	NONE VOLTS

*
N
O
T
E
S
*

INVERTER TORQUE: NONE
INV. HP SPEED RANGE: NONE
ENCODER: NONE
NONE NONE
NONE NONE PPR
BRAKE: NONE NONE
NONE P/N NONE
NONE NONE
NONE FT-LB NONE V NONE Hz

